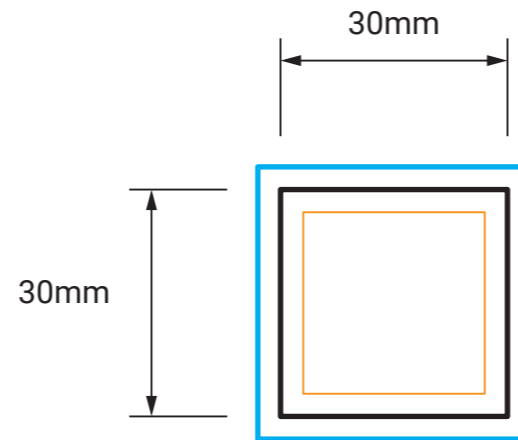


# SMALL SQUARE 30mm



BLEED	CUT	SAFETY MARGIN
36mm	30mm	24mm



**THIS TEMPLATE IS 1:1 SCALE**

**EMAIL:** [print@istick.com.au](mailto:print@istick.com.au)  
**PH:** 1300 986 455

## IMPORTANT

- IMPORTANT INFO SHOULD MUST BE INSIDE SAFETY MARGINS
- FINAL ART MUST HAVE 3MM BLEED ON EACH CUT EDGE
- FINAL ART MUST BE CMYK AND 300 DPI
- PLEASE OUTLINE ALL FONTS
- SAVE ART AS PRINT READY PDF (Acrobat 6.0 (PDF 1.5) or higher)

